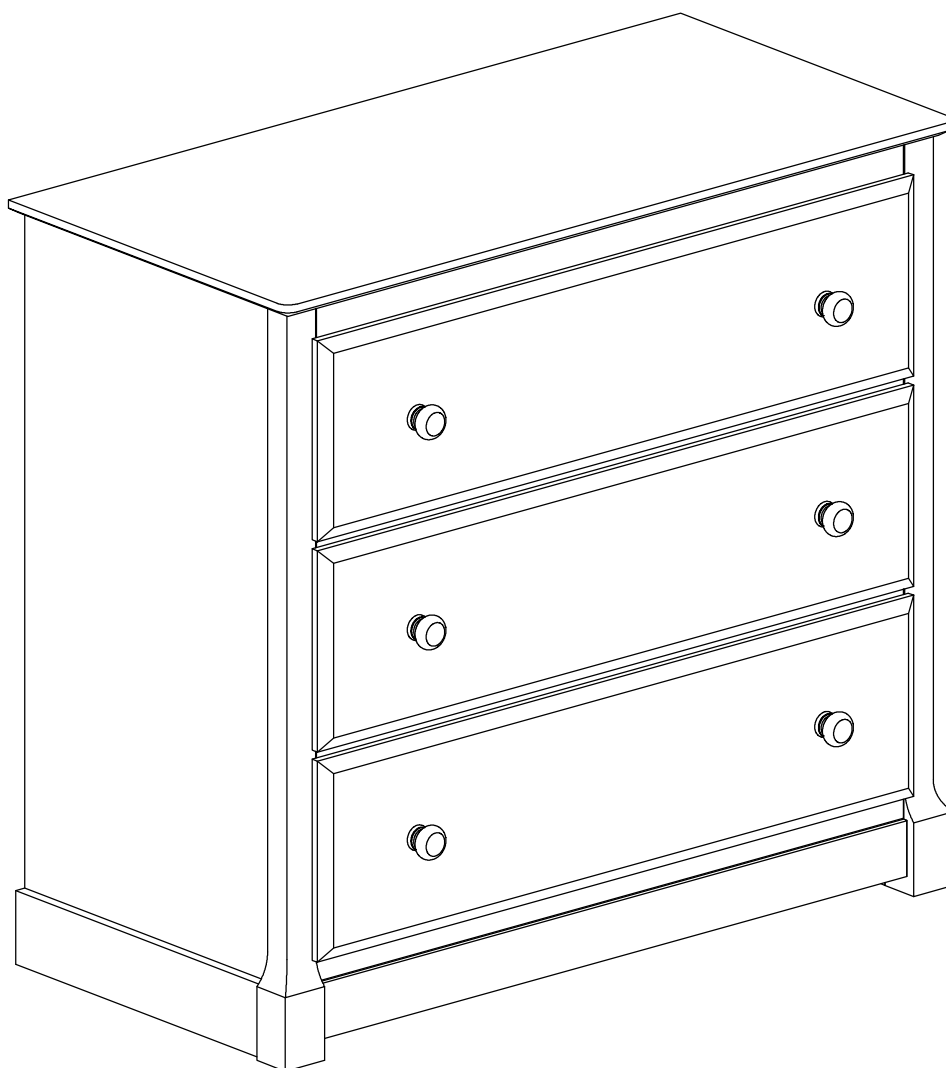
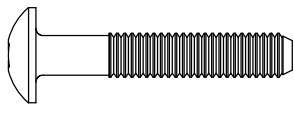


DARBY 3 DRAWER DRESSER

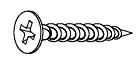


NURSERY**SMART**[®]

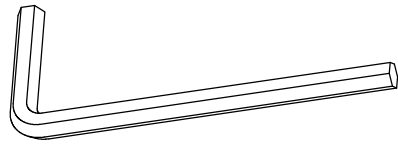
A (20pcs) Allen Head Bolt 1-1/4" (32mm)



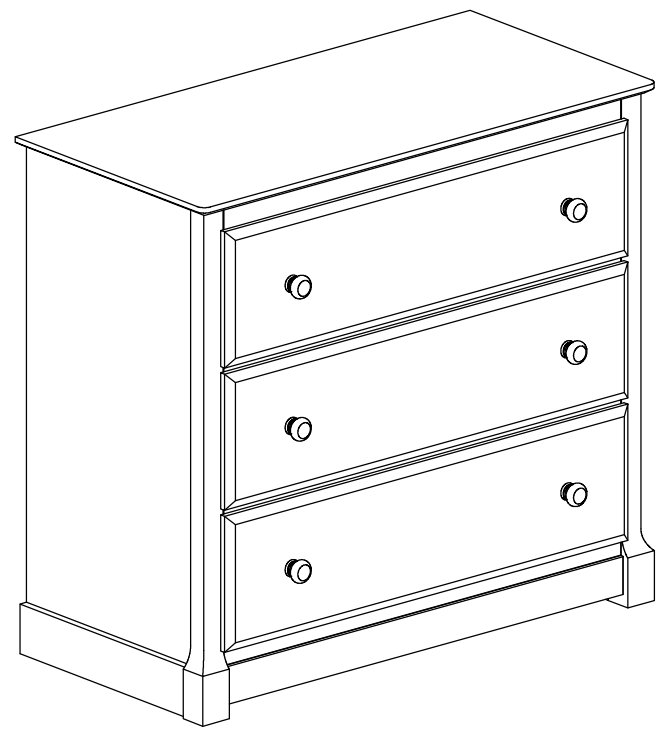
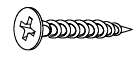
B (30pcs) Small wood screws



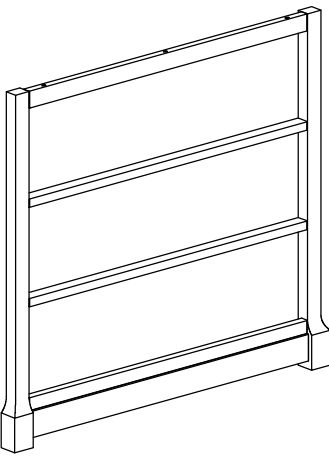
C (1pc) Allen Wrench (4mm)



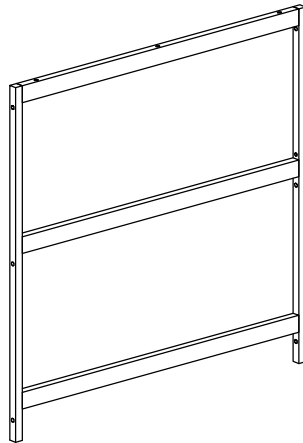
D (6pcs) Small wood screws



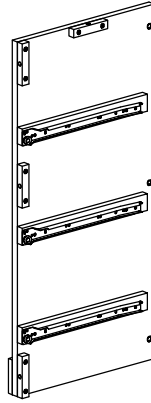
1 (1) Front Frame



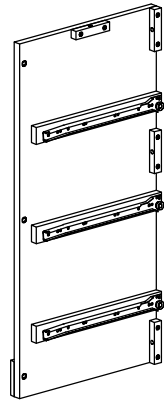
2 (1) Back Frame



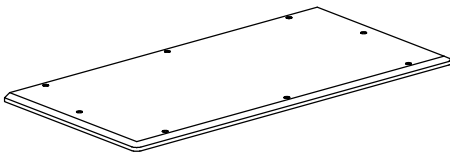
3 (1) Side Panel (Left)



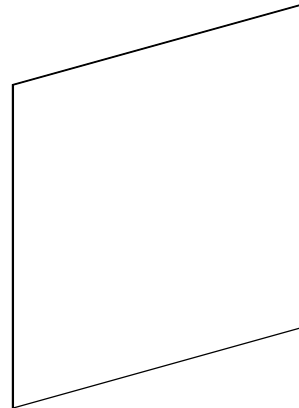
4 (1) Side Panel (Right)



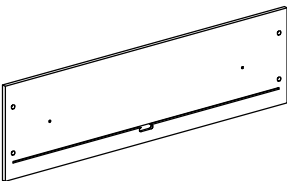
5 (1) Top



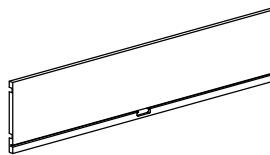
6 (1) Back Panel



7 (3) Drawer Front



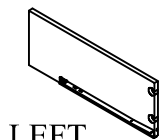
8 (3) Drawer Back



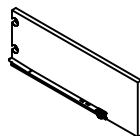
9 (3) Drawer Back



10 (3) Drawer two sides

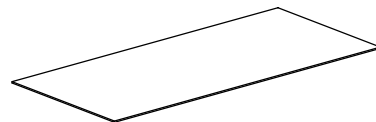


LEFT

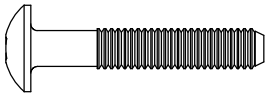


RIGHT

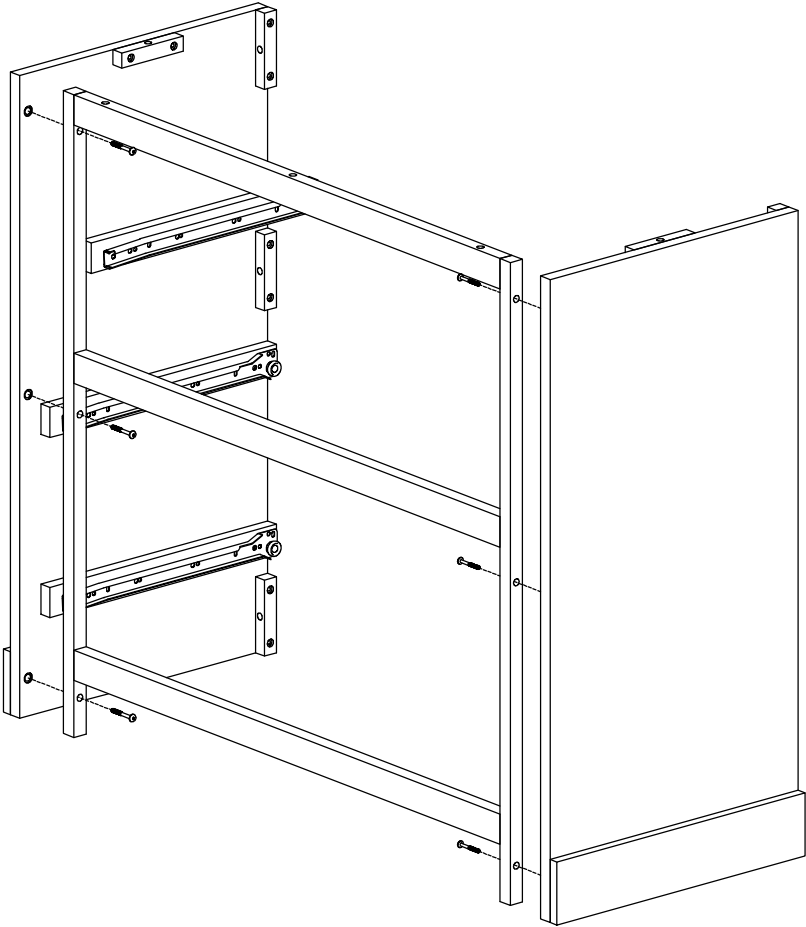
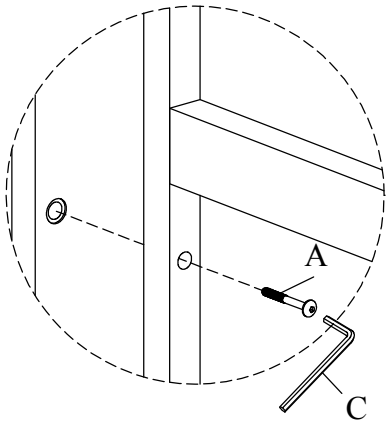
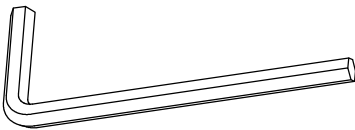
11 (3) Drawer Boards



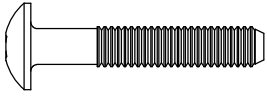
(6pcs) Allen Head Bolt 1-1/4" (A)



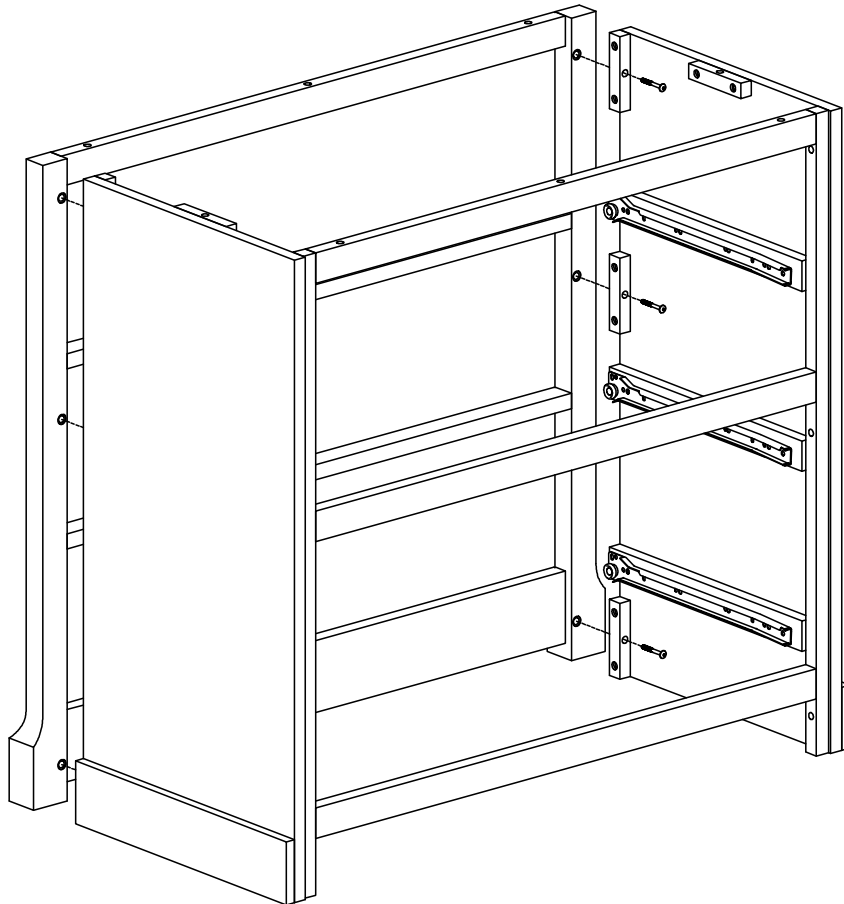
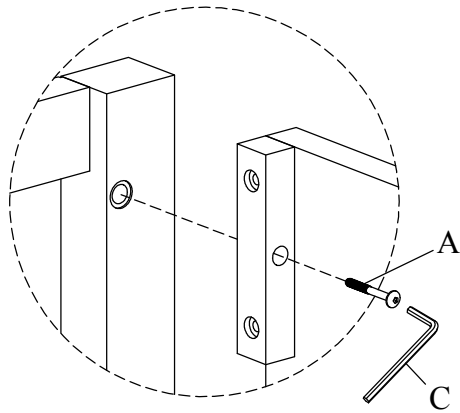
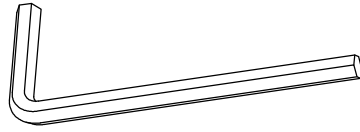
(1pc) Allen Wrench (C)



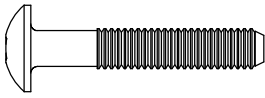
(6pcs) Allen Head Bolt 1-1/4" (A)



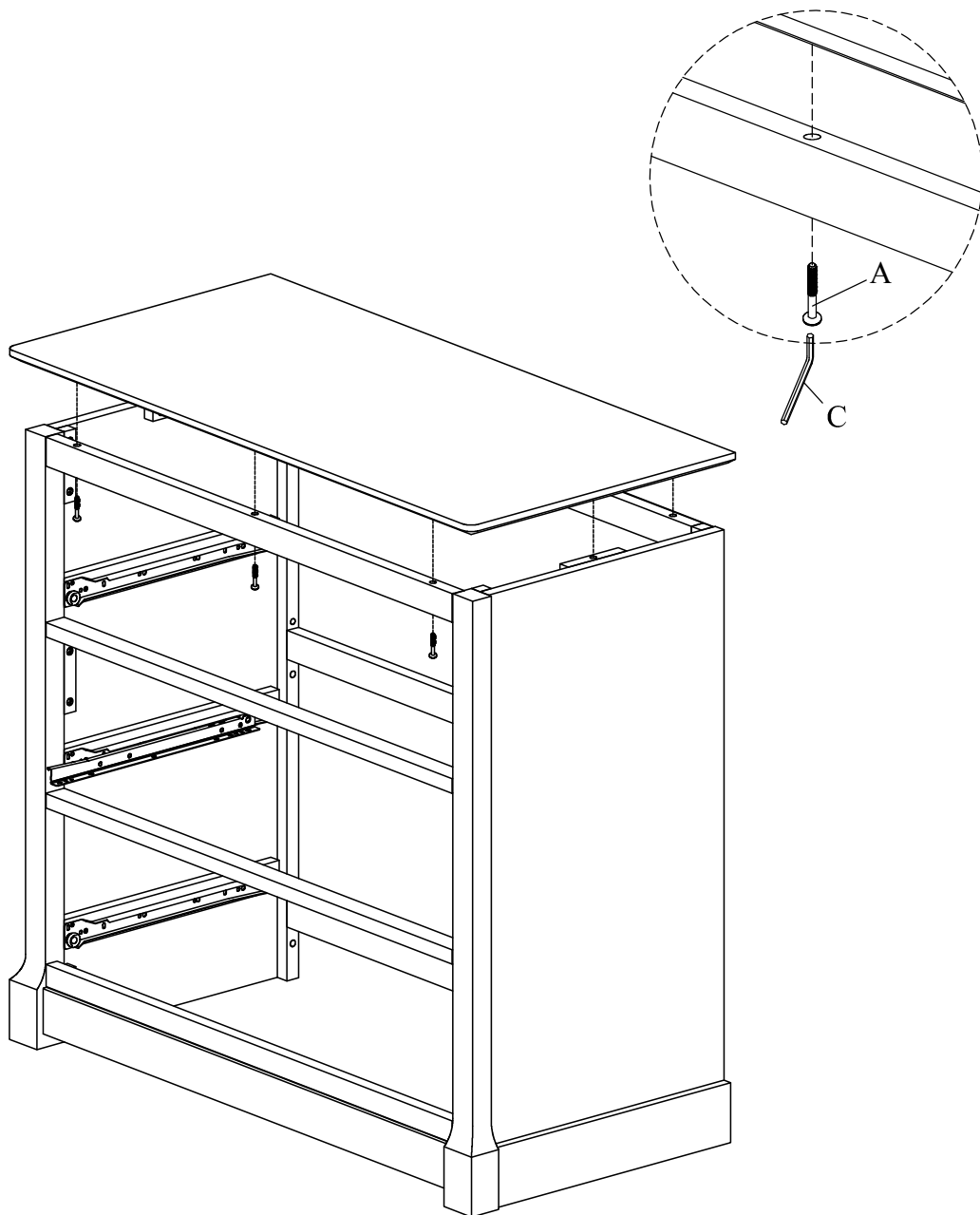
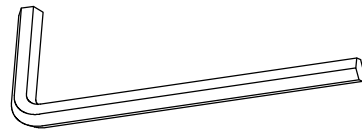
(1pc) Allen Wrench (C)



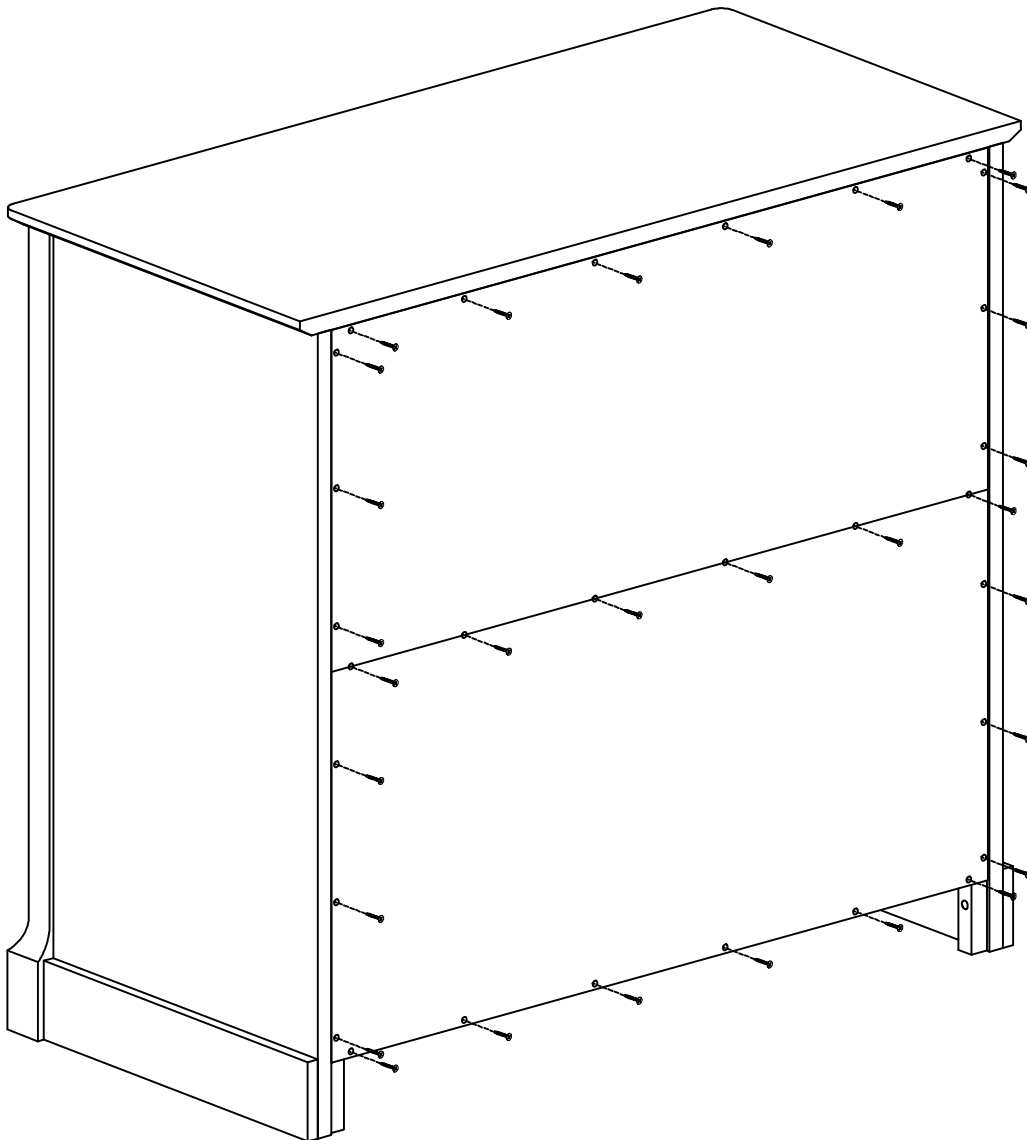
(8) Allen Head Bolt 1-1/4" (A)



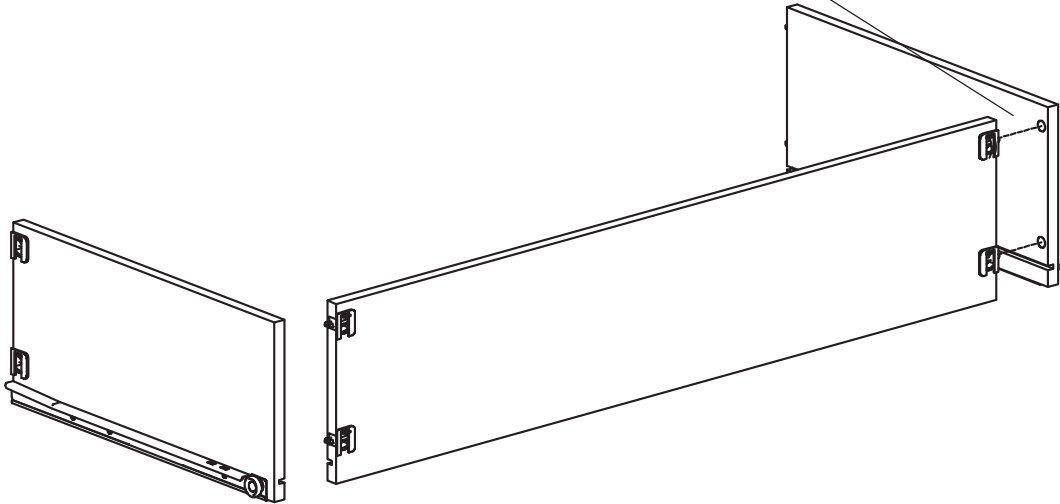
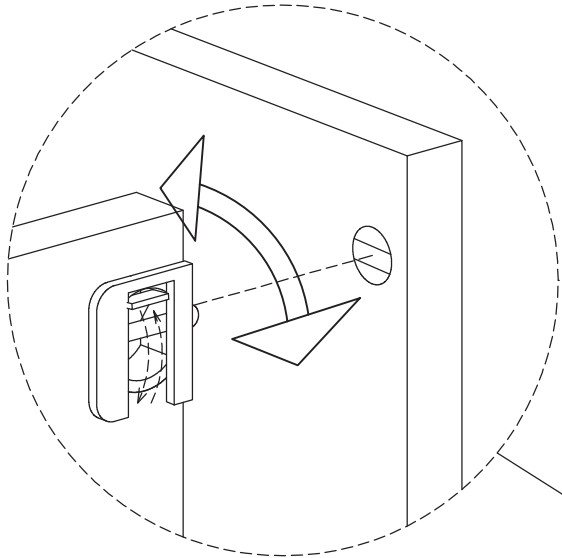
(1) Allen Wrench (C)

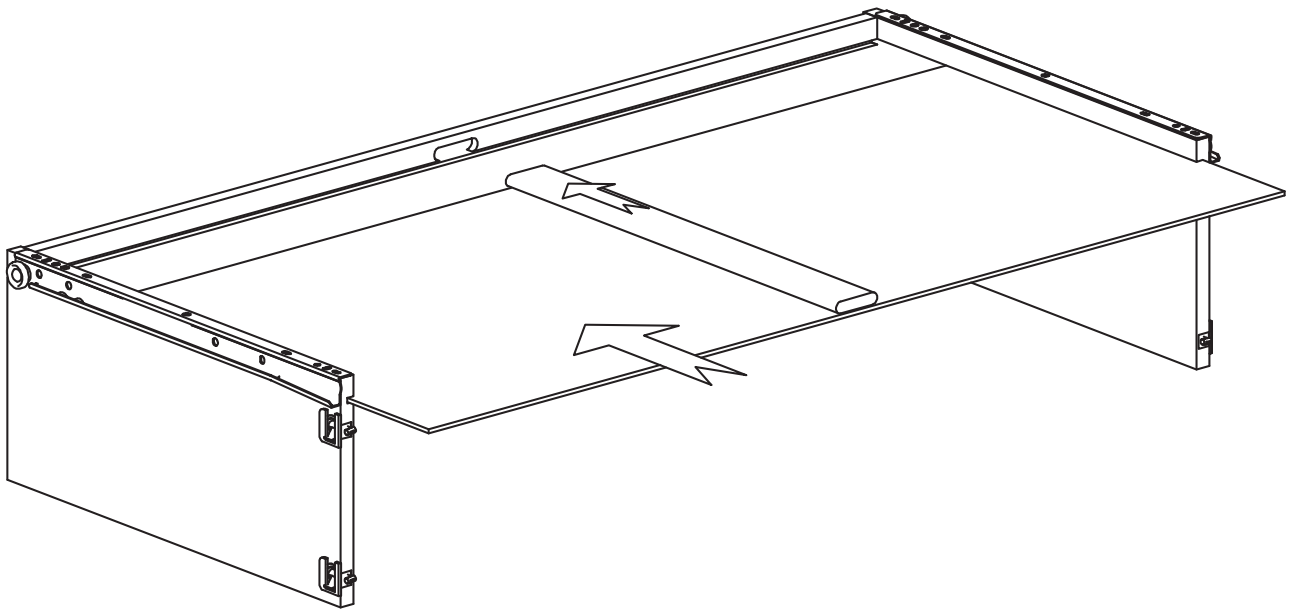


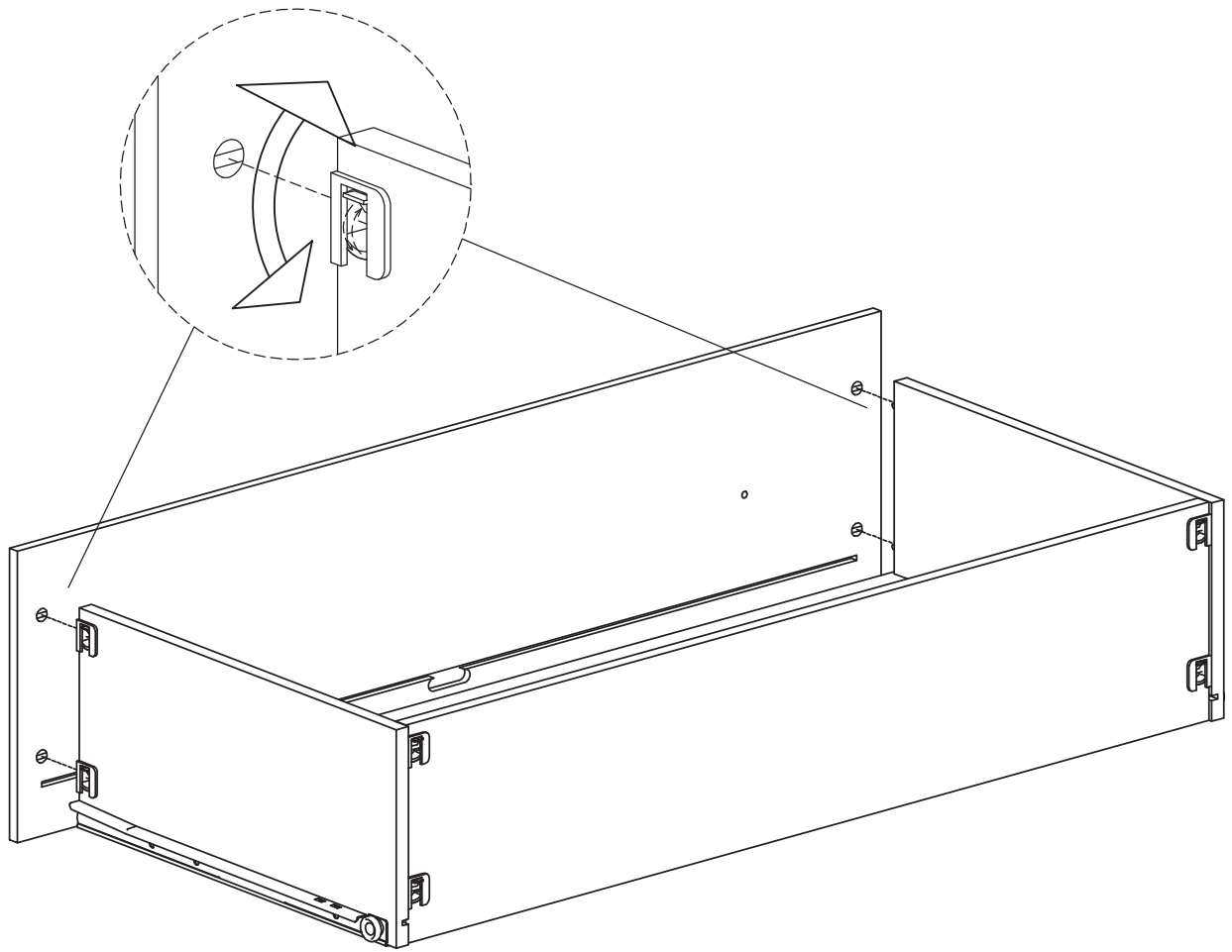
(30pcs) Small wood screws (B)



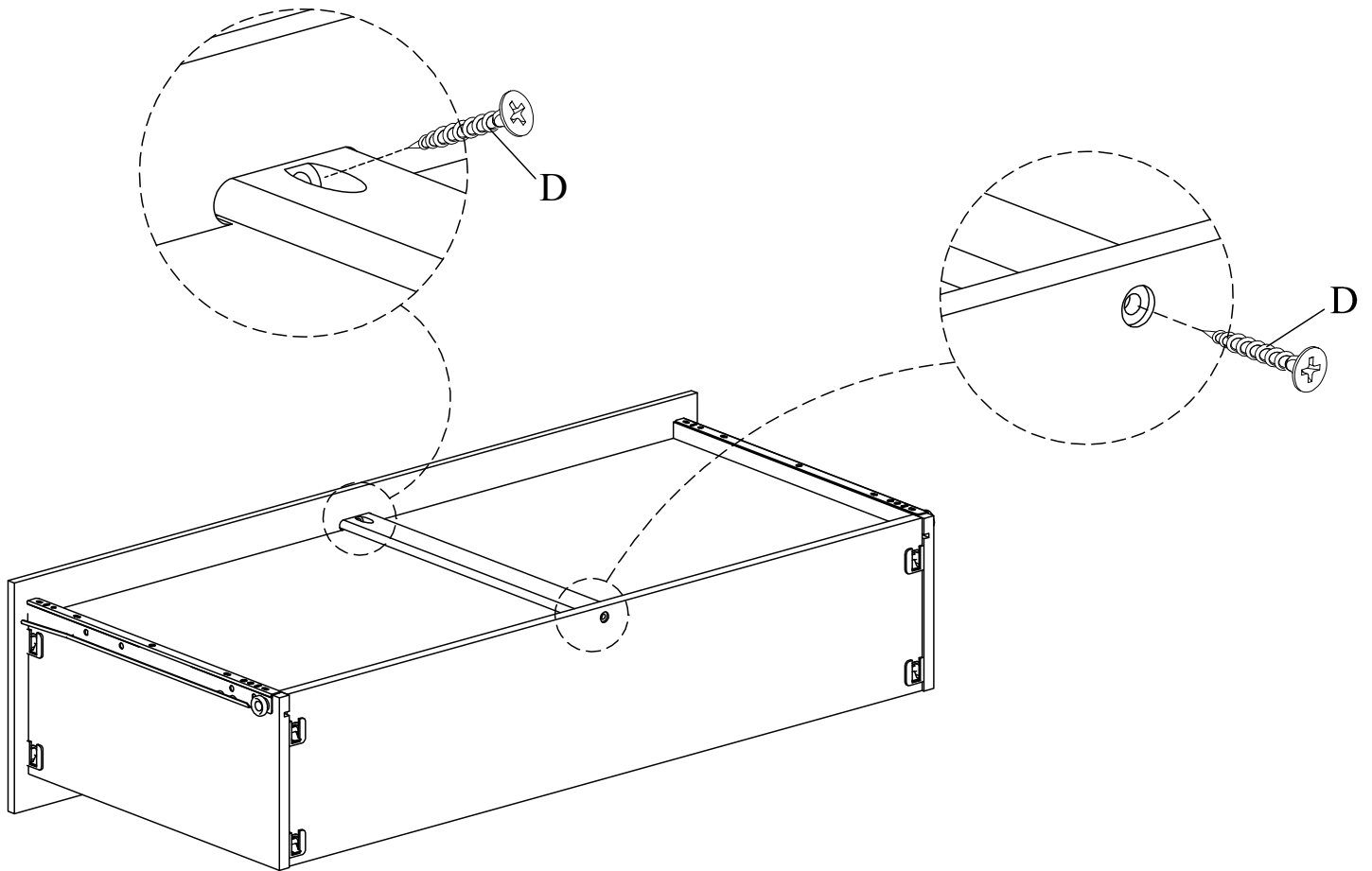
INSERT PANEL LOCKS INTO HOLES. FLIP DOWN LEVER TO LOCK.

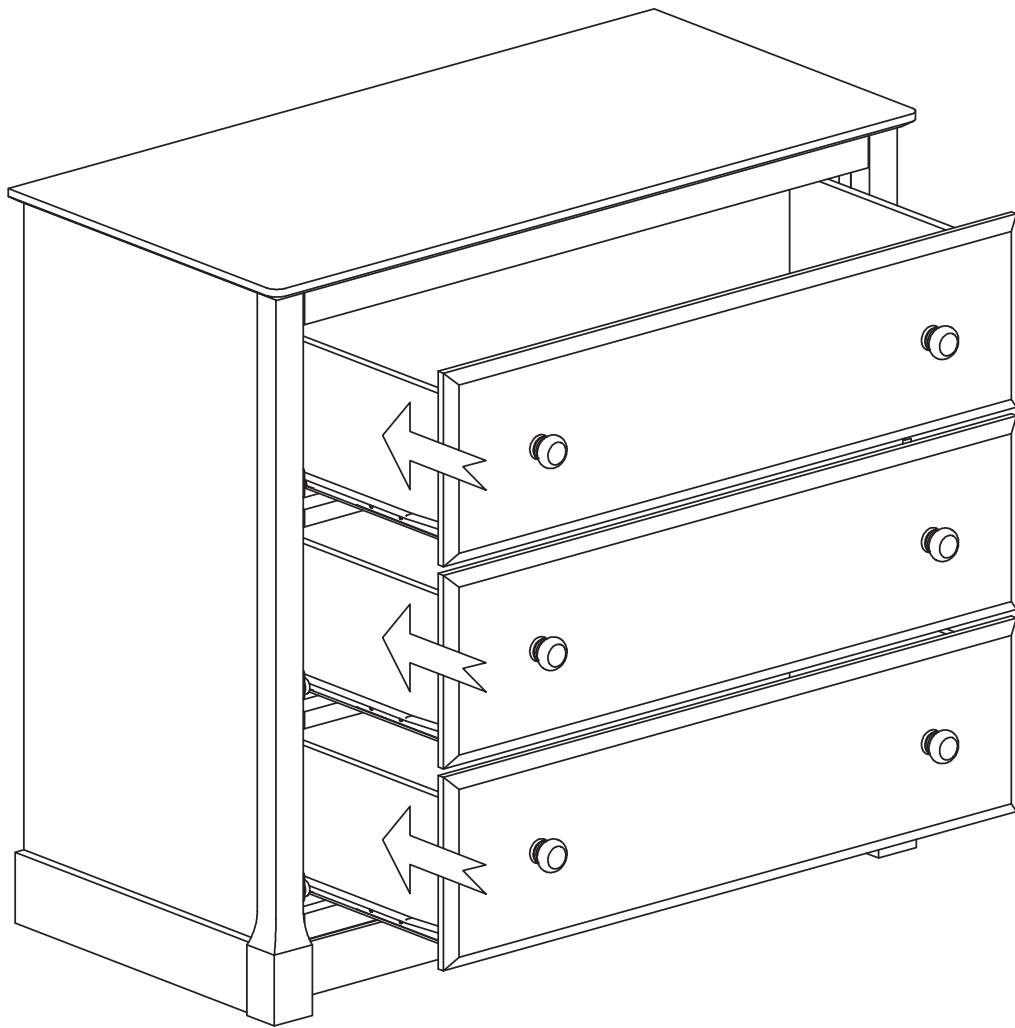






(6pcs) Small wood screws (D)





PLEASE BE SURE TO INSPECT ALL BOLTS AND FASTENERS ARE SECURELY BEFORE USING.